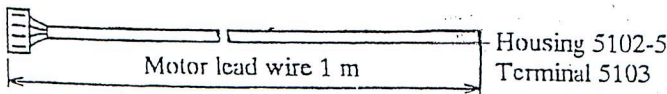
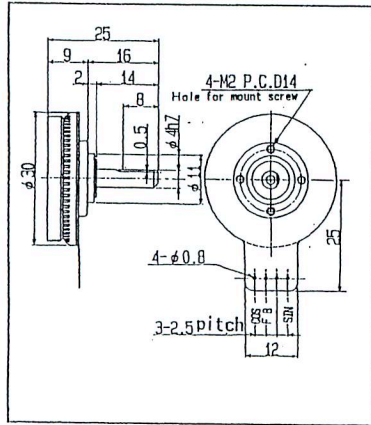
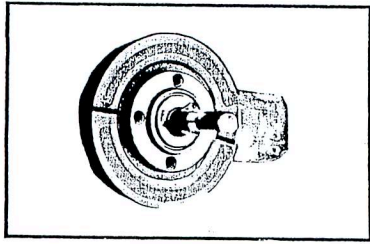
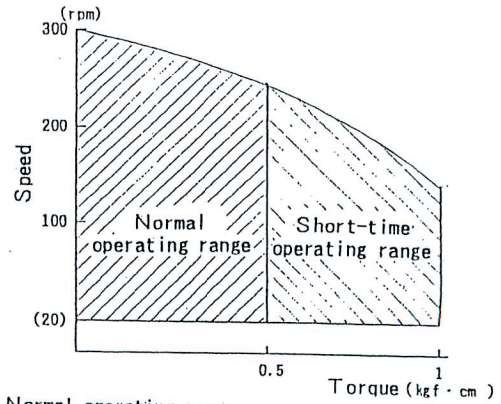


Built-in type
ultrasonic motor
USR30-B3



• Characteristics and operating range

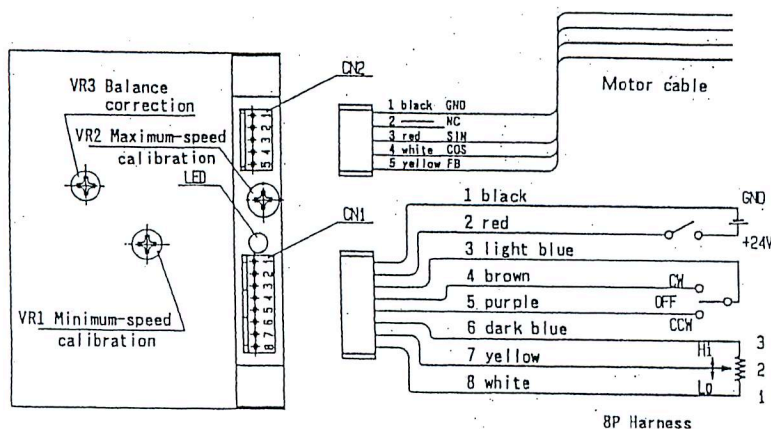


- ※1 Normal operating range
range for steady operation
- ※2 Short-time operating range
operating range for short-time duty
during acceleration or deceleration

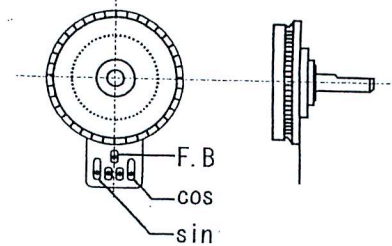
• Specifications

	B3	S3 · S4	E3
Driving frequency	50KHz		
Drive voltage	110Vrms		
Rated torque	0.05Nm (0.5Kgf·cm)		
Rated output	1.3W		
Rated speed	250rpm		
Maximum torque	0.1Nm (1Kgf·cm)		
Holding torque	0.1Nm (1Kgf·cm)		
Response	1msec or less (without inertial load or driver sweep)		
Direction of rotation	CW, CCW		
Limit of continuous operation	2,000Hrs		
Operating temperature	-10°C~+55°C		
Allowable temperature rise	70°C at stator surface	65°C at case surface	
Weight	20 g	45 g	100 g

● Basic connections of USR30-B3



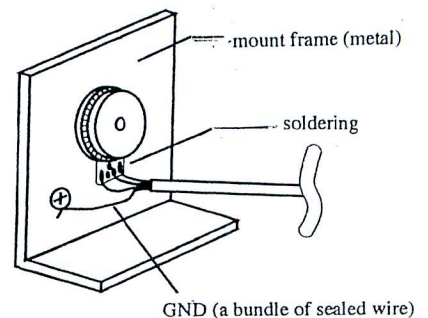
Fpc input section



Note: For ground connection connect the GND wire from the driver to the mount frame (made of conducting material) that is electrically connected to the motor's mount face

- Power/supply
- Start/stop switch
- Speed setting volume (10KΩ)

CONNECTION SAMPLE



GND (a bundle of sealed wire)

The lead wires connect to the driver via connectors. On the motor side, however, they must be individually connected to the motor's FPC input section by soldering or other such methods. Connections are ①sin/red, ②cos/white, ③FB/yellow
Note: Connect GND (a bundle of sealed wire) to the mount frame that is electrically connected to the motor's mount face.